

QUICK SETUP DIAGRAM

12VDC
Transformer

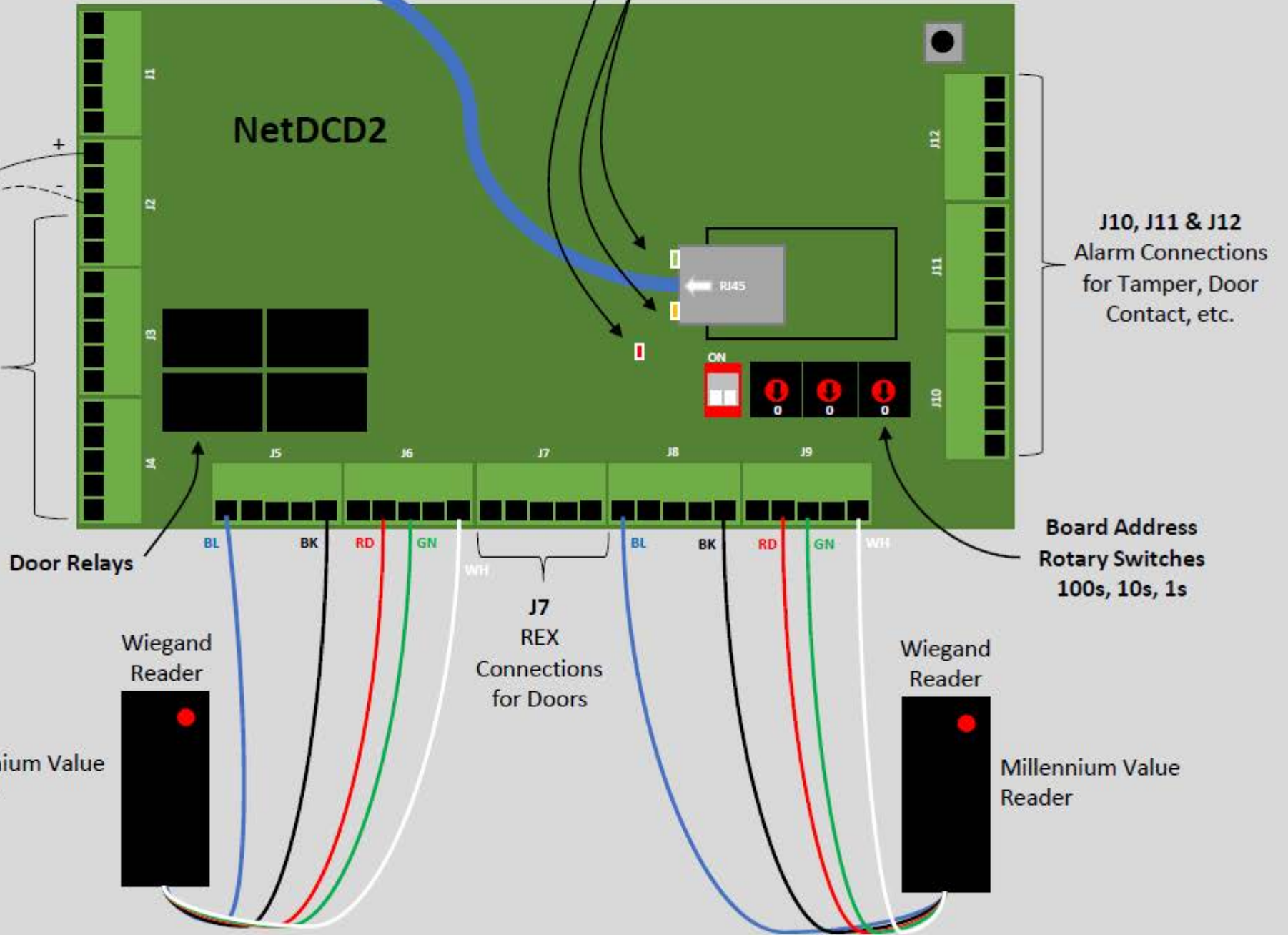


Cat5 or 6 Cable to
Switch or
LAN/WAN Drop

KEY LED Lights
Green - LAN Traffic (Flashing)
Orange - LAN Link (Solid)
Red - Heartbeat:
(Fast = Online; Slow = Offline)

Tamper
Switch

J2 (Partial), J3, & J4
Door & Auxiliary
Relays



J10, J11 & J12
Alarm Connections
for Tamper, Door
Contact, etc.

Door Relays

Board Address
Rotary Switches
100s, 10s, 1s

Millennium Value
Reader

Millennium Value
Reader

Refer to Millennium Documentation for full wiring diagram available in your Customer Management Software