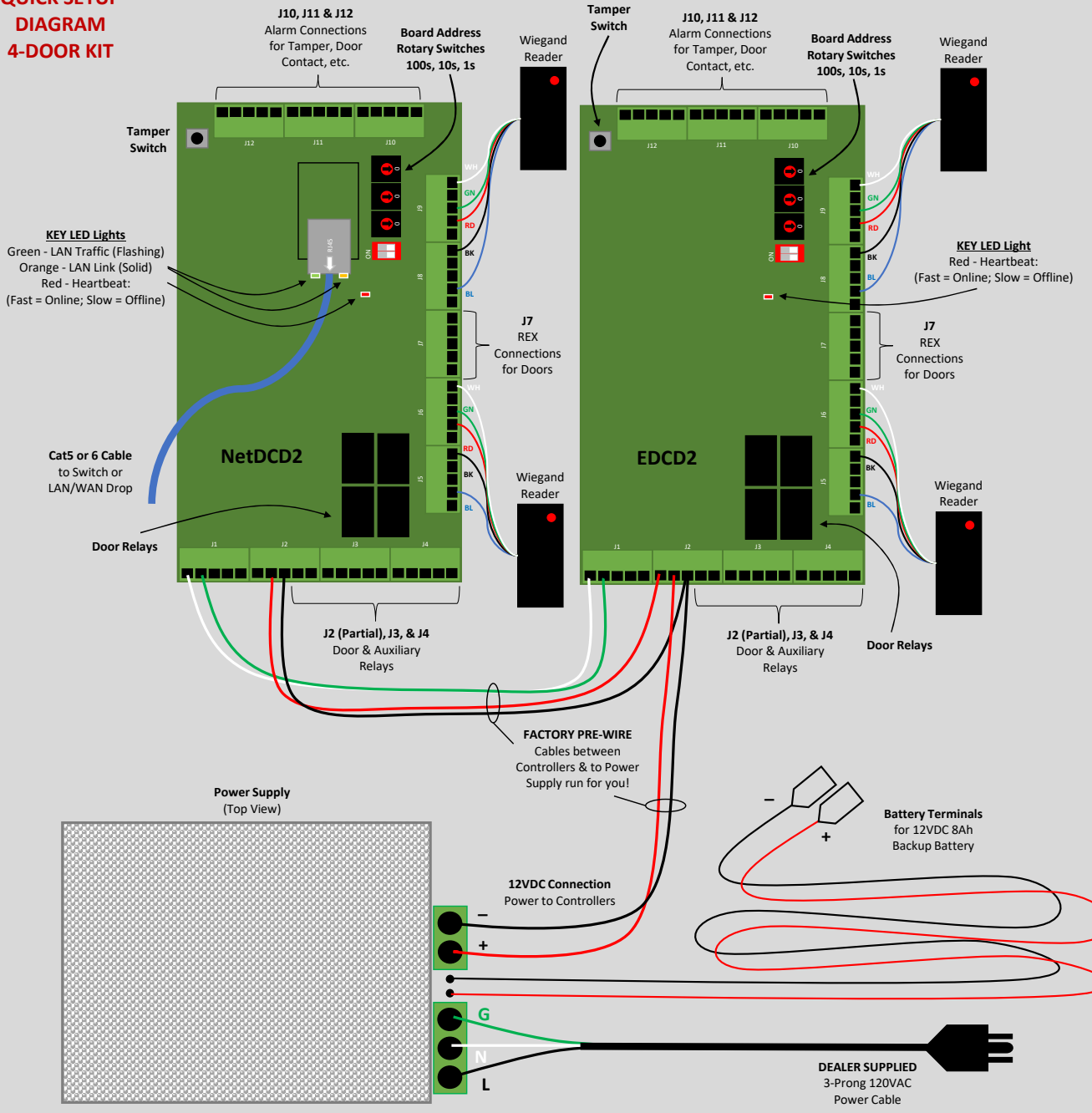


**QUICK SETUP  
DIAGRAM  
4-DOOR KIT**



Refer to Millennium Documentation for full wiring diagram available in your Customer Management Software